



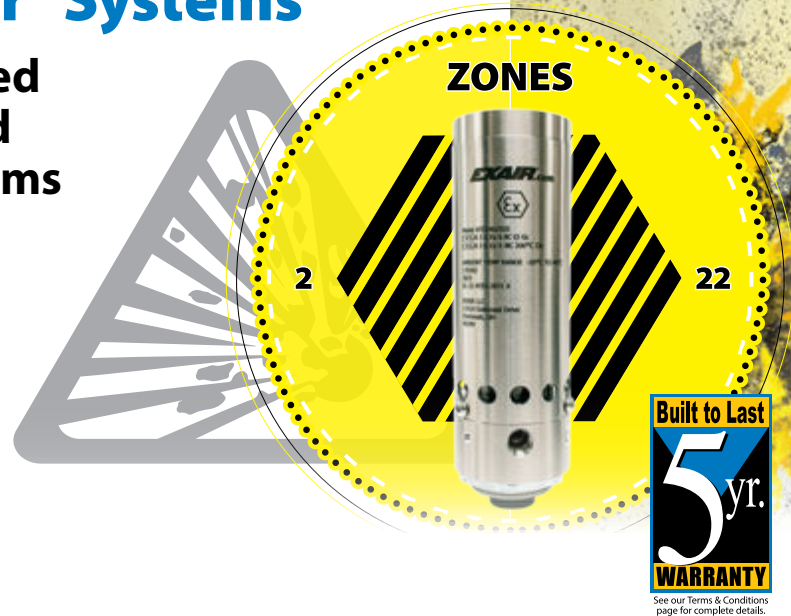
ATEX Cabinet Cooler® Systems



For use with classified enclosure purge and pressurization systems

Zones 2 and 22

-  II 3 G Ex h IIC T3 Gc
-  II 3 D Ex h IIIC T200°C Dc



What is an ATEX Cabinet Cooler System?

ATEX Cabinet Cooler Systems are engineered and approved for use upon purged electrical enclosures (not included) found within ATEX zoned areas. The areas approved are Zone 2 and 22. EXAIR's ATEX Cabinet Cooler Systems have been tested by UL and meet the stringent ATEX requirements for these areas. Cabinet Cooler systems are a low cost and reliable way to cool purged electric control panels found within these environments. They utilize vortex tube technology to produce up to 5,600 Btu/Hr, with no moving parts, which additionally creates a low maintenance solution for cooling your ATEX purged cabinets.

The compact Cabinet Cooler is an easy-to-use air conditioner that can be installed in minutes through a standard electrical knockout. Aluminum and Stainless Steel ATEX Cabinet Coolers that match the NEMA rating of the enclosure are available in many cooling capacities for large and small control panels.

Advantages

- Rated for Zones 2 and 22
- Available in 8 different cooling capacities
- No moving parts, low maintenance
- Thermostat control reduces operating cost
- Large range of cooling capacities up to 5,600 Btu/hr
- 5 Year warranty
- Low cost

Why EXAIR ATEX Cabinet Coolers?

EXAIR's ATEX Cabinet Cooler Systems have been set apart from the competition by being certified for Zone 2 and 22 environments. Thermostatically controlled systems are recommended for the highest efficiency and include ATEX approved solenoids, also for hazardous environments. EXAIR Cabinet Cooler Systems will install upon your purged enclosure in minutes, require little to no maintenance and operate under the toughest of industrial conditions. If you require low cost, ease of use and/or reliability – an ATEX Cabinet Cooler System will meet your needs.

EXAIR ATEX Cabinet Cooler Systems are available in 8 different cooling capacities from 1,000 Btu/hr. to 5,600 Btu/hr. This range of cooling allows for choosing the best fit for your cooling needs without wasting compressed air.

Cabinet Cooler Systems protect your electronics from heat, dirt and moisture and keep your processes running. They are the low-cost solution to messy, high maintenance coolant-based air conditioners with simple installation. With modern technology comes an increased number of small electronic components packed into smaller electronic cabinets. This creates a high internal heat load which increases failures due to heat. Components will fail, sensors will misread, controls can drift and displays become inaccurate. EXAIR ATEX Cabinet Coolers can solve these problems and prevent lost productivity, shutdown and the expense of new components.

Thermostat Control

Each EXAIR ATEX Cabinet Cooler System is available with a thermostat control or as a continuous operation system. Each of these systems will include a water-dirt filter separator to prevent water condensate and dirt from entering your enclosure and cold air distribution kit used to direct the air for circulation and onto hot spots. ATEX

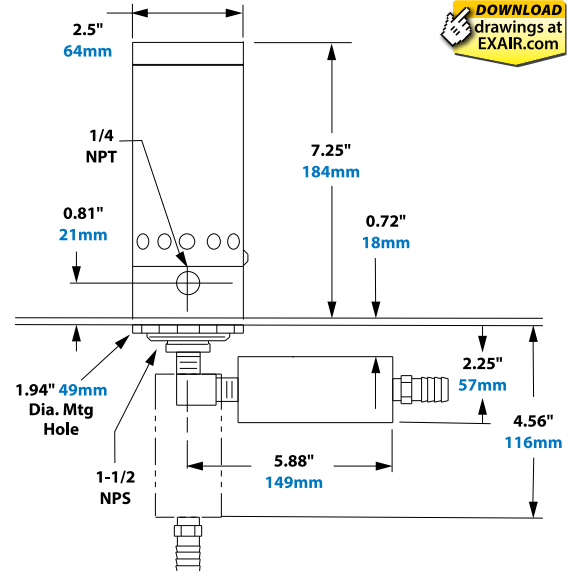
Cabinet Cooler Systems are also available in Type 303 and Type 316SS for highly corrosive environments.

Any control systems and accessories not rated for the ATEX zone need to be moved outside of the ATEX zone or inside a properly purged and pressurized enclosure which is suitable for the ATEX zone.

Safety

EXAIR's ATEX Cabinet Cooler Systems are not purged and pressurized control systems and should not be relied upon nor used in place of a purged and pressurized controller. They are meant for use in conjunction with a purged and pressurized control system.

Model #'s Aluminum	Model #'s St. Steel
ATEX4615	ATEX4615SS
ATEX4625	ATEX4625SS
ATEX4630	ATEX4630SS
ATEX4640	ATEX4640SS
ATEX4715	ATEX4715SS
ATEX4725	ATEX4725SS
ATEX4730	ATEX4730SS
ATEX4740	ATEX4740SS
ATEX4815	ATEX4815SS
ATEX4825	ATEX4825SS
ATEX4830	ATEX4830SS
ATEX4840	ATEX4840SS



DOWNLOAD drawings at EXAIR.com

Aluminum ATEX Cabinet Cooler Systems (maintain NEMA 4 integrity)

Cabinet Cooler Only Model #	Continuous Operation Model #	Thermostat Control Model #			Capacity*		Sound level dBA
		120V	240V	24VDC	Btu/Hr	Watts	
ATEX4815	ATEX4815	ATEX4815	ATEX4815-240	ATEX4815-24VDC	1,000	293	73
ATEX4825	ATEX4825	ATEX4825	ATEX4825-240	ATEX4825-24VDC	1,700	498	80
ATEX4830	ATEX4830	ATEX4830	ATEX4830-240	ATEX4830-24VDC	2,000	586	80
ATEX4840	ATEX4840	ATEX4840	ATEX4840-240	ATEX4840-24VDC	2,800	821	82
N/A	ATEX4850	ATEX4850	ATEX4850-240	ATEX4850-24VDC	3,400	997	84
N/A	ATEX4860	ATEX4860	ATEX4860-240	ATEX4860-24VDC	4,000	1,171	84
N/A	ATEX4870	ATEX4870	ATEX4870-240	ATEX4870-24VDC	4,800	1,406	84
N/A	ATEX4880	ATEX4880	ATEX4880-240	ATEX4880-24VDC	5,600	1,641	85

Stainless Steel ATEX Cabinet Cooler Systems (maintain NEMA 4X integrity)

Cabinet Cooler Only Model #	Continuous Operation Model #	Thermostat Control Model #			Capacity*		Sound level dBA
		120V	240V	24VDC	Btu/Hr	Watts	
ATEX4615SS	ATEX4715SS	ATEX4815SS	ATEX4815SS-240	ATEX4815SS-24VDC	1,000	293	73
ATEX4625SS	ATEX4725SS	ATEX4825SS	ATEX4825SS-240	ATEX4825SS-24VDC	1,700	498	80
ATEX4630SS	ATEX4730SS	ATEX4830SS	ATEX4830SS-240	ATEX4830SS-24VDC	2,000	586	80
ATEX4640SS	ATEX4740SS	ATEX4840SS	ATEX4840SS-240	ATEX4840SS-24VDC	2,800	821	82
N/A	ATEX4750SS	ATEX4850SS	ATEX4850SS-240	ATEX4850SS-24VDC	3,400	997	84
N/A	ATEX4760SS	ATEX4860SS	ATEX4860SS-240	ATEX4860SS-24VDC	4,000	1,171	84
N/A	ATEX4770SS	ATEX4870SS	ATEX4870SS-240	ATEX4870SS-24VDC	4,800	1,406	84
N/A	ATEX4780SS	ATEX4880SS	ATEX4880SS-240	ATEX4880SS-24VDC	5,600	1,641	85

*Cooling capacity at 100 PSIG (6.9 BAR) supply pressure.

Accessories and Components	
Model #	Description
902380	ATEX Solenoid, IP65, 1/4 NPT, 120V/60HZ
902381	ATEX Solenoid, IP65, 1/4 NPT, 240V/60HZ
902382	ATEX Solenoid, IP65, 1/4 NPT, 24VDC
9017	Thermostat only 24V-240V, 50/60 Hz
9004	Automatic Drain Filter Separator, 1/4 NPT, 43 SCFM (1,359 SLPM)
9027	Oil Removal Filter for all ATEX Systems, 7-24 SCFM (198-680 SLPM), 1/4 NPT
9005	Oil Removal Filter for all ATEX Systems, 15-37 SCFM (425-1,048 SLPM), 3/8 NPT
9006	Oil Removal Filter for all ATEX Systems, 50-150 SCFM (1,416-4,248 SLPM), 3/4 NPT