

Specifications

Port Sizes	1/4"
Thread Styles	NPT, BSPT, BSPP
Flow Capacity	20 scfm @ 100 PSI
Filter Capacity	0.01 Micron & larger
Differential Pressure	< 1.5 PSID at rated flow
Max Temp/ Pressure	
Aluminum Bowl	175 ° F/200 PSIG
Max Temp/ Pressure	
Polycarbonate Bowl	125 ° F/150 PSIG
Approx. Weight (lb.)	2.0
ISO Class	1 Particulate/Oil

For higher pressure applications, consult factory.
 Units equipped with differential pressure indicator have max temperature and pressure of 125 ° F and 150 PSIG, regardless of bowl material.

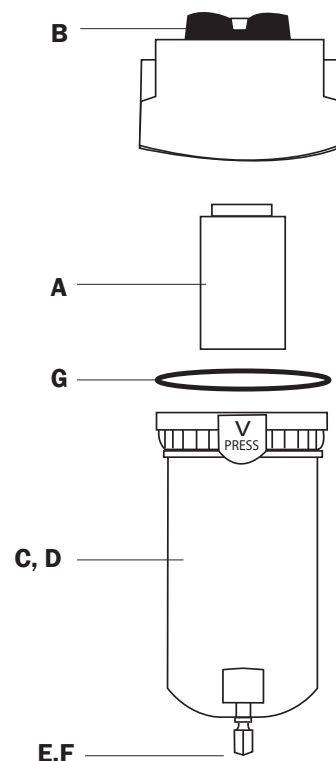


Water
Dirt
Oil
Oil Vapor
Odor

Replacement Parts & Accessories

Description	Part Number
A Replacement Element	3C-020
B Differential Pressure Indicator	N32-W1-DPI
C Blanking Cap (Cover for Indicator)	N32-95-020
C Bowl Assembly: Metal Bowl, Manual Petcock Drain, & O-ring	N32-95-178
C Bowl Assembly: Metal Bowl, Auto Float Drain, & O-ring	N32-95-950
D Bowl Assembly: Poly Bowl, Manual Petcock Drain, & O-ring*	N32-15-159
D Bowl Assembly: Poly Bowl, Auto Float Drain, & O-ring*	N32-15-160
E Manual Petcock Drain	N32-95-182
F Automatic Plastic Float Drain	N32-95-973
G Bowl O-ring	N32-95-009

*Poly bowls come with metal bowl guard



Order Guide

	Port Size	Model Number		Dimensions (inches)		
		Metal Bowl	Poly Bowl	Height*	Width	Depth
Manual Brass Petcock Drain	1/4"	3C-020-M02-P	3C-020-P02-P	6.8	3.0	2.7
Automatic Float Drain	1/4"	3C-020-M02-F	3C-020-P02-F	6.8	3.0	2.7

*To add an indicator, add "i" to end of model number (Indicator adds about 1" to height)

Specifications

Port Sizes	1/4", 3/8", 1/2"
Thread Styles	NPT, BSPT, BSPP
Flow Capacity	60 scfm @ 100 PSI
Filter Capacity	0.01 Micron & larger
Differential Pressure	< 1.5 PSID at rated flow
Max Temp/ Pressure Aluminum Bowl	175 °F/200 PSIG
Max Temp/ Pressure Polycarbonate Bowl	125 °F/150 PSIG
Approx. Weight (lb.)	3.5
ISO Class	1 Particulate/Oil

For higher pressure applications, consult factory.
Units equipped with differential pressure indicator have max temperature and pressure of 125 °F and 150 PSIG, regardless of bowl material.

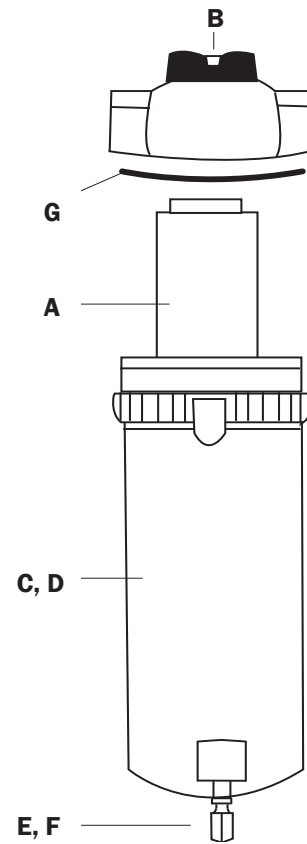


Water
Dirt
Oil
Oil Vapor
Odor

Replacement Parts & Accessories

Description	Part Number
A Replacement Element	3C-060
B Differential Pressure Indicator	N32-W1-DPI
B Blanking Cap (Cover for Indicator)	N32-95-020
C Bowl Assembly: Metal Bowl, Manual Petcock Drain, & O-ring	N34-95-205
C Bowl Assembly: Metal Bowl, Auto Float Drain, & O-ring	N34-95-201
D Bowl Assembly: Poly Bowl, Manual Petcock Drain, & O-ring*	N32-15-163
D Bowl Assembly: Poly Bowl, Auto Float Drain, & O-ring*	N32-15-164
E Manual Petcock Drain (Metal Bowl)	PC-02
E Manual Petcock Drain (Poly Bowl)	N32-95-182
F Automatic Plastic Float Drain (Metal Bowl)	N32-95-979
F Automatic Brass Float Drain (Poly Bowl)	N32-95-978
G Bowl O-ring	N32-95-257

*Poly bowls come with metal bowl guard



Order Guide

	Port Size	Model Number	
		Metal Bowl	Poly Bowl
Manual Brass Petcock Drain	1/4"	3C-060-M02-P	3C-060-P02-P
	3/8"	3C-060-M03-P	3C-060-P03-P
	1/2"	3C-060-M04-P	3C-060-P04-P

Automatic Float Drain	1/4"	3C-060-M02-F	3C-060-P02-F
	3/8"	3C-060-M03-F	3C-060-P03-F
	1/2"	3C-060-M04-F	3C-060-P04-F

Dimensions (inches)			
Height*		Width	Depth
Metal	Poly		
10.0	10.0	3.9	3.9
10.0	10.0	3.9	3.9
10.0	10.0	3.9	3.9

10.0	10.5	3.9	3.9
10.0	10.5	3.9	3.9
10.0	10.5	3.9	3.9

*To add an indicator, add "i" to end of model number (Indicator adds about 1" to height)

Specifications

Port Sizes	1/2", 3/4", 1"
Thread Styles	NPT, BSPT, BSPP
Flow Capacity	90/150/250 scfm @ 100 PSI
Filter Capacity	0.01 Micron & larger
Differential Pressure	< 1.5 PSID at rated flow
Max Temp/ Pressure	
Aluminum Bowl	175 °F/200 PSIG
Max Temp/ Pressure	
Polycarbonate Bowl	125 °F/150 PSIG
Approx. Weight (lb.)	6.0
ISO Class	1 Particulate/Oil

For higher pressure applications, consult factory.
Units equipped with differential pressure indicator have max temperature and pressure of 125 °F and 150 PSIG, regardless of bowl material.



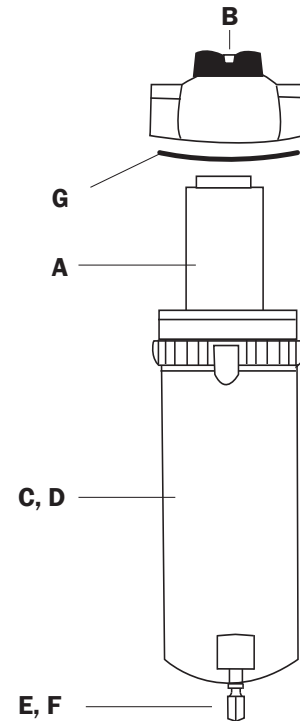
Water
Dirt
Oil
Oil Vapor
Odor

	Dimensions (inches)			
	Height*		Width	Depth
	Metal	Poly		
Manual Drain	17.0	14.0	4.6	4.8
Automatic Float Drain	17.0	14.5	4.6	4.8

Replacement Parts & Accessories

Description	Part Number
A Replacement Element	3C-090/3C-150/3C-250
B Differential Pressure Indicator	N32-W1-DPI
B Blanking Cap (Cover for Indicator)	N32-95-020
C Bowl Assembly: Metal Bowl, Manual Petcock Drain, & O-ring	N34-15-180
C Bowl Assembly: Metal Bowl, Auto Float Drain, & O-ring	N34-15-178
D Bowl Assembly: Poly Bowl, Manual Petcock Drain, & O-ring*	N32-15-167
D Bowl Assembly: Poly Bowl, Auto Float Drain, & O-ring*	N32-15-166
E Manual Petcock Drain (Metal Bowl)	PC-03
E Manual Petcock Drain (Poly Bowl)	N32-95-182
F Automatic Plastic Float Drain (Metal Bowl)	N32-95-979
F Automatic Brass Float Drain (Poly Bowl)	N32-95-978
G Bowl O-ring	N32-95-256

*Poly bowls come with metal bowl guard



Order Guide

	Port Size	Model Number				
		Metal Bowl			Poly Bowl	
		Low Flow	Med Flow	High Flow	Low Flow	Med Flow
Manual Brass Petcock Drain	1/2"	3C-090-M04-P	3C-150-M04-P	3C-250-M04-P	3C-090-P04-P	3C-150-P04-P
	3/4"	3C-090-M06-P	3C-150-M06-P	3C-250-M06-P	3C-090-P06-P	3C-150-P06-P
	1"	3C-090-M08-P	3C-150-M08-P	3C-250-M08-P	3C-090-P08-P	3C-150-P08-P
Automatic Float Drain	1/2"	3C-090-M04-F	3C-150-M04-F	3C-250-M04-F	3C-090-P04-F	3C-150-P04-F
	3/4"	3C-090-M06-F	3C-150-M06-F	3C-250-M06-F	3C-090-P06-F	3C-150-P06-F
	1"	3C-090-M08-F	3C-150-M08-F	3C-250-M08-F	3C-090-P08-F	3C-150-P08-F

*To add an indicator, add "I" to end of model number (Indicator adds about 1" to height)

Specifications

Port Sizes	1¼", 1½", 2"
Thread Styles	NPT, BSPT, BSPP
Flow Capacity	300/400/700 scfm @ 100 PSI
Filter Capacity	0.01 Micron & larger
Differential Pressure	< 1.5 PSID at rated flow
Max Temp/ Pressure	
Aluminum Bowl	175° F/200 PSIG
Approx. Weight (lb.)	30.0
ISO Class	1 Particulate/Oil

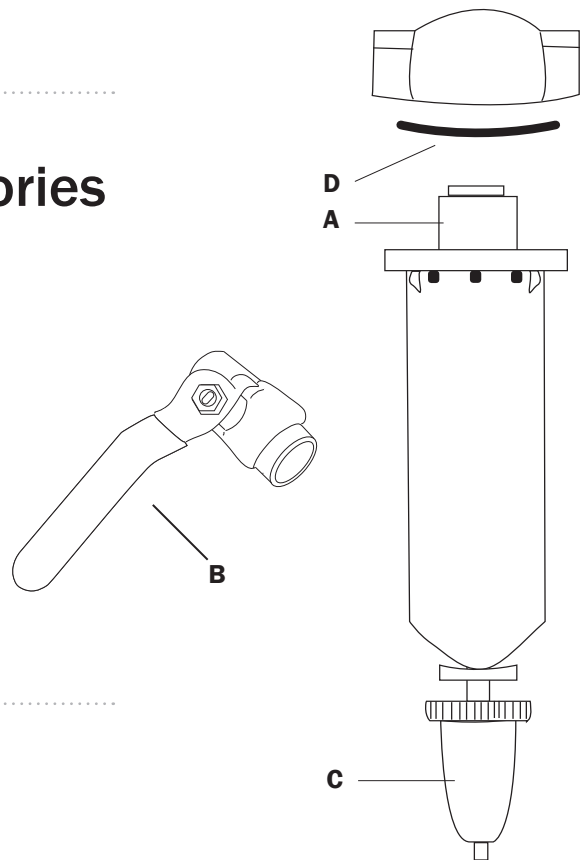
For higher pressure applications, consult factory.
 Units equipped with differential pressure indicator
 have max temperature and pressure of 125° F and
 150 PSIG, regardless of bowl material.



Water
Dirt
Oil
Oil Vapor
Odor

Replacement Parts & Accessories

Description	Part Number
A Replacement Element	3C-300/3C-400/3C-700
B Manual Drain, Ball Valve	BV-051
C Automatic Float Drain	N32-95-XD8
D Bowl O-ring	N32-F35-OR



Order Guide

	Port Size	Model Number			Dimensions (inches)					
		Low Flow	Med Flow	High Flow	Height*			Width		
Manual Ball Valve	1¼"	3C-300-M10-P	3C-400-M10-P	3C-700-M10-P	Manual Ball Valve	Low Flow	Med Flow	High Flow	7.8	7.8
	1½"	3C-300-M12-P	3C-400-M12-P	3C-700-M12-P		28.0	28.0	28.0		
	2"	3C-300-M16-P	3C-400-M16-P	3C-700-M16-P		28.0	28.0	28.0		
External Automatic Float Drain	1¼"	3C-300-M10-F	3C-400-M10-F	3C-700-M10-F	Automatic Float Drain	Low Flow	Med Flow	High Flow	7.8	7.8
	1½"	3C-300-M12-F	3C-400-M12-F	3C-700-M12-F		32.0	32.0	32.0		
	2"	3C-300-M16-F	3C-400-M16-F	3C-700-M16-F		32.0	32.0	32.0		

*To add an indicator, add "i" to end of model number (Indicator adds about 1" to height)



1200 scfm Coalescer®

Specifications

Port Sizes	3"
Connection	NPT, BSPT, BSPP
Flow Capacity	1200 scfm @ 100 PSI
Filter Capacity	0.01 Micron & larger
Differential Pressure	< 1.5 PSID at rated flow
Max Temp/ Pressure	
Manual Drain	175° F/200 PSIG
Max Temp/Pressure	
Float Drain	125° F/150 PSIG
Approx. Weight (lb.)	38.0
ISO Class	1 Particulate/Oil

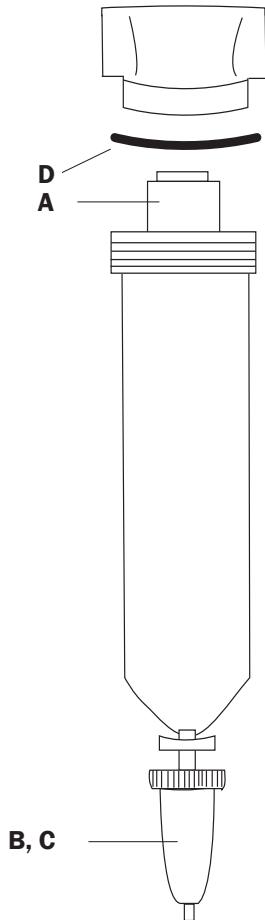
For higher pressure units, consult factory.



Water
Dirt
Oil
Oil Vapor
Odor

Replacement Parts & Accessories

Description	Part Number
A Replacement Element	3C-1200
B Manual Drain, Ball Valve	BV-051
C External Float Drain	N32-95-XD8
D Bowl O-ring	PHC-032



Order Guide

	Port Size	Model Number	Dimensions (inches)		
			Height	Width	Depth
Manual Brass Petcock Drain	3"	3C-1200-M24-P	40.0	8.0	7.3
Automatic Float Drain	3"	3C-1200-M24-F	44.0	8.0	7.3



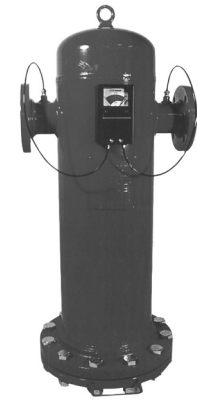


1900/3000 scfm Coalescer®

Specifications

Port Sizes	3", 4", 6" RFSO
Connection	Raised face 150# Flange
Flow Capacity	1900/3000 scfm @ 100 PSI
Filter Capacity	0.01 Micron & larger
Differential Pressure	< 1.5 PSID at rated flow
Max Temp/ Pressure	
Epoxy Coated	
Carbon Steel	150 °F/200 PSIG
Approx. Weight (lb.)	280/290/420
ISO Class	1 Particulate/Oil

For higher pressure applications, consult factory.
 Units equipped with external auto drain
 have max temperature and pressure of 150 °F
 and 150 PSIG.

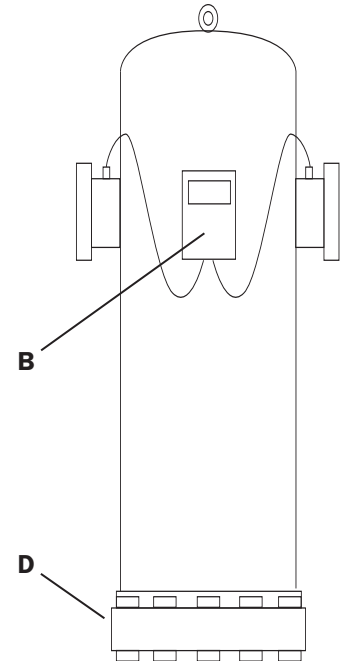


Water
Dirt
Oil
Oil Vapor
Odor

Replacement Parts & Accessories

Description	Part Number
A Replacement Element	3C-1900/3C-3000
B Differential Pressure Indicator	N32-P2-DPi
C Manual Drain, Ball Valve	BV-051
D External Float Drain	N32-95-XD8

Note:
 All 3C-1900 units require a minimum of 25" clearance between
 bottom of housing and floor for installation.
 All 3C-3000 units require a minimum of 36" clearance between
 bottom of housing and floor for installation.



Order Guide

	Port Size	Model Number
Manual Brass Petcock Drain	3"	3C-1900-MFD-P
	4"	3C-1900-MFE-P
	6"	3C-3000-MFF-P
Automatic Float Drain	3"	3C-1900-MFD-X
	4"	3C-1900-MFE-X
	6"	3C-3000-MFF-X

Dimensions (inches)		
Height	Width	Depth
50.2	20.0	16.0
50.2	20.0	16.0
50.2	23.4	19.0
50.2	20.0	16.0
50.2	20.0	16.0
50.2	23.4	19.0

Indicator included as standard with these metal bowl units.

