



20 scfm Eliminator®

Specifications

Port Sizes	1/4", 3/8"
Thread Styles	NPT, BSPT, BSPP
Flow Capacity	20 scfm @ 100 PSI
Filter Capacity	1.0 Micron & larger
Differential Pressure	< 5.0 PSID at rated flow
Max Temp/ Pressure	
Aluminum Bowl	175 °F/200 PSIG
Max Temp/ Pressure	
Polycarbonate Bowl	125 °F/150 PSIG
Approx. Weight (lb.)	2.0
ISO Class	Class 2 Particulate

For higher pressure applications, consult factory.
 Units equipped with differential pressure indicator
 have max temperature and pressure of 125 °F and
 150 PSIG, regardless of bowl material.

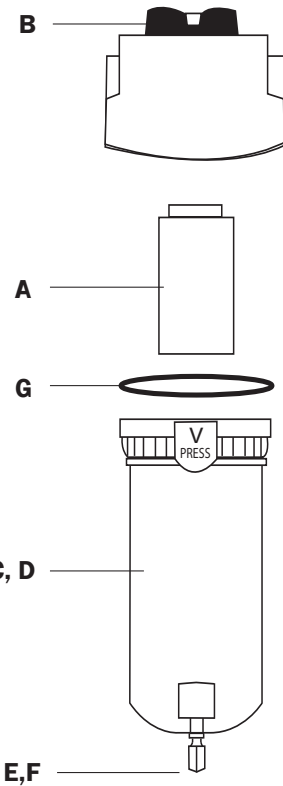


Water
Dirt
Oil
Oil Vapor
Odor

Replacement Parts & Accessories

Description	Part Number
A Replacement Element	3P-020
B Differential Pressure Indicator	N32-W1-DPI
B Blanking Cap (Cover for Indicator)	N32-95-020
C Bowl Assembly: Metal Bowl, Manual Petcock Drain, & O-ring	N32-95-178
C Bowl Assembly: Metal Bowl, Auto Float Drain, & O-ring	N32-95-950
D Bowl Assembly: Poly Bowl, Manual Petcock Drain, & O-ring*	N32-15-159
D Bowl Assembly: Poly Bowl, Auto Float Drain, & O-ring*	N32-15-160
E Manual Petcock Drain	N32-95-182
F Automatic Plastic Float Drain	N32-95-973
G Bowl O-ring	N32-95-009

*Poly bowls come with metal bowl guard



Order Guide

	Port Size	Model Number	
		Metal Bowl	Poly Bowl
Manual Brass Petcock Drain	1/4"	3P-020-M02-P	3P-020-P02-P
	3/8"	3P-020-M03-P	3P-020-P03-P
Automatic Float Drain	1/4"	3P-020-M02-F	3P-020-P02-F
	3/8"	3P-020-M03-F	3P-020-P03-F

Dimensions (inches)		
Height*	Width	Depth
6.8	3.0	2.7
6.8	3.0	2.7
6.8	3.0	2.7
6.8	3.0	2.7

*To add an indicator, add "I" to end of model number (Indicator adds about 1" to height)



Specifications

Port Sizes	1/4", 3/8", 1/2"
Thread Styles	NPT, BSPT, BSPP
Flow Capacity	35 / 60 scfm @ 100 PSI
Filter Capacity	1.0 Micron & larger
Differential Pressure	< 5.0 PSID at rated flow
Max Temp/ Pressure	
Aluminum Bowl	175° F/200 PSIG
Max Temp/ Pressure	
Polycarbonate Bowl	125° F/150 PSIG
Approx. Weight (lb.)	3.5
ISO Class	2 Particulate

For higher pressure applications, consult factory.
Units equipped with differential pressure indicator have max temperature and pressure of 125° F and 150 PSIG, regardless of bowl material.

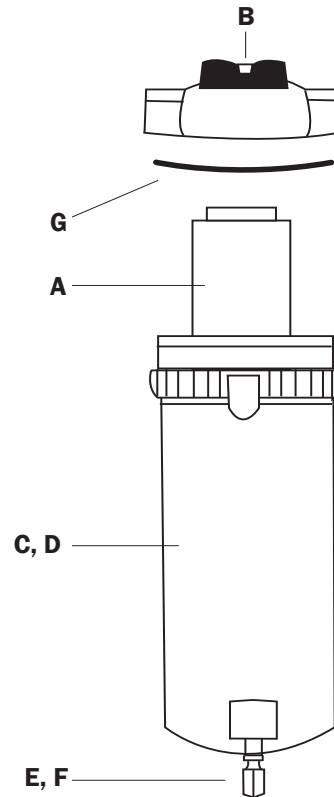


Water
Dirt
Oil
Oil Vapor
Odor

Replacement Parts & Accessories

Description	Part Number
A Replacement Element	3P-035/3P-060
B Differential Pressure Indicator	N32-W1-DPI
B Blanking Cap (Cover for Indicator)	N32-95-020
C Bowl Assembly: Metal Bowl, Manual Petcock Drain, & O-ring	N34-95-205
C Bowl Assembly: Metal Bowl, Auto Float Drain, & O-ring	N34-95-201
D Bowl Assembly: Poly Bowl, Manual Petcock Drain, & O-ring*	N32-15-163
D Bowl Assembly: Poly Bowl, Auto Float Drain, & O-ring*	N32-15-164
E Manual Petcock Drain (Metal Bowl)	PC-02
E Manual Petcock Drain (Poly Bowl)	N32-95-182
F Automatic Plastic Float Drain (Metal Bowl)	N32-95-979
F Automatic Brass Float Drain (Poly Bowl)	N32-95-978
G Bowl O-ring	N32-95-257

*Poly bowls come with metal bowl guard



Order Guide

	Port Size	Model Number				Dimensions (inches)			
		Metal Bowl		Poly Bowl		Height*		Width	Depth
		Low Flow	Med Flow	Low Flow	Med Flow	Metal	Poly		
Manual Brass Petcock Drain	1/4"	3P-035-M02-P	3P-060-M02-P	3P-035-P02-P	3P-060-P02-P	10.0	10.0	3.9	3.9
	3/8"	3P-035-M03-P	3P-060-M03-P	3P-035-P03-P	3P-060-P03-P	10.0	10.0	3.9	3.9
	1/2"	3P-035-M04-P	3P-060-M04-P	3P-035-P04-P	3P-060-P04-P	10.0	10.0	3.9	3.9
Automatic Float Drain	1/4"	3P-035-M02-F	3P-060-M02-F	3P-035-P02-F	3P-060-P02-F	10.0	10.5	3.9	3.9
	3/8"	3P-035-M03-F	3P-060-M03-F	3P-035-P03-F	3P-060-P03-F	10.0	10.5	3.9	3.9
	1/2"	3P-035-M04-F	3P-060-M04-F	3P-035-P04-F	3P-060-P04-F	10.0	10.5	3.9	3.9

*To add an indicator, add "i" to end of model number (Indicator adds about 1" to height)

Specifications

Port Sizes	1/2", 3/4", 1"
Thread Styles	NPT, BSPT, BSPP
Flow Capacity	90/ 150 scfm @ 100 PSI
Filter Capacity	1.0 Micron & larger
Differential Pressure	< 5.0 PSID at rated flow
Max Temp/ Pressure Aluminum Bowl	175 °F/200 PSIG
Max Temp/ Pressure Polycarbonate Bowl	125 °F/150 PSIG
Approx. Weight (lb.)	6.0
ISO Class	2 Particulate

For higher pressure applications, consult factory.
Units equipped with differential pressure indicator have max temperature and pressure of 125 °F and 150 PSIG, regardless of bowl material.

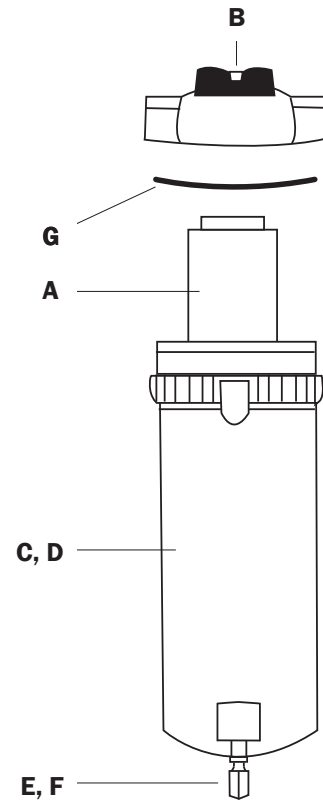


Water
Dirt
Oil
Oil Vapor
Odor

Replacement Parts & Accessories

Description	Part Number
A Replacement Element	3P-090/3P-150
B Differential Pressure Indicator	N32-W1-DPI
B Blanking Cap (Cover for Indicator)	N32-95-020
C Bowl Assembly: Metal Bowl, Manual Petcock Drain, & O-ring	N34-15-180
C Bowl Assembly: Metal Bowl, Auto Float Drain & O-ring	N34-15-178
D Bowl Assembly: Poly Bowl, Manual Petcock Drain, & O-ring*	N32-15-167
D Bowl Assembly: Poly Bowl, Auto Float Drain, & O-ring*	N32-15-166
E Manual Petcock Drain (Metal Bowl)	PC-03
E Manual Petcock Drain (Poly Bowl)	N32-95-182
F Automatic Plastic Float Drain (Metal Bowl)	N32-95-979
F Automatic Brass Float Drain (Poly Bowl)	N32-95-978
G Bowl O-ring	N32-95-256

*Poly bowls come with metal bowl guard



Order Guide

	Port Size	Model Number			
		Metal Bowl		Poly Bowl	
		Low Flow	Med Flow	Low Flow	Med Flow
Manual Brass Petcock Drain	1/2"	3P-090-M04-P	3P-150-M04-P	3P-090-P04-P	3P-150-P04-P
	3/4"	3P-090-M06-P	3P-150-M06-P	3P-090-P06-P	3P-150-P06-P
	1"	3P-090-M08-P	3P-150-M08-P	3P-090-P08-P	3P-150-P08-P
Automatic Float Drain	1/2"	3P-090-M04-F	3P-150-M04-F	3P-090-P04-F	3P-150-P04-F
	3/4"	3P-090-M06-F	3P-150-M06-F	3P-090-P06-F	3P-150-P06-F
	1"	3P-090-M08-F	3P-150-M08-F	3P-090-P08-F	3P-150-P08-F

Dimensions (inches)			
Height*		Width	Depth
Metal	Poly		
17.0	14.0	4.6	4.8
17.0	14.0	4.6	4.8
17.0	14.0	4.6	4.8
17.0	14.5	4.6	4.8
17.0	14.5	4.6	4.8
17.0	14.5	4.6	4.8

*To add an indicator, add "i" to end of model number (Indicator adds about 1" to height)