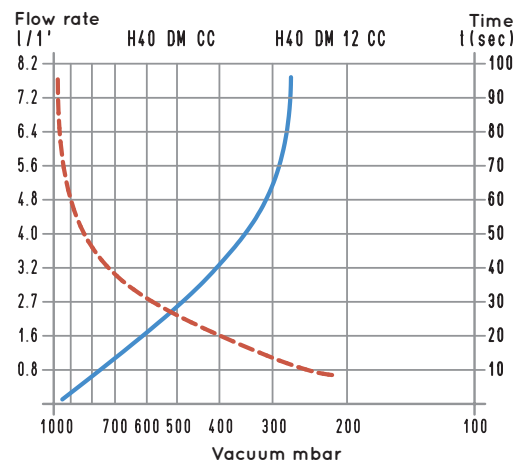
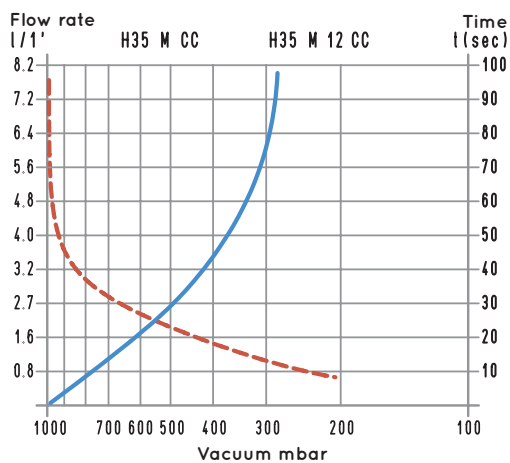
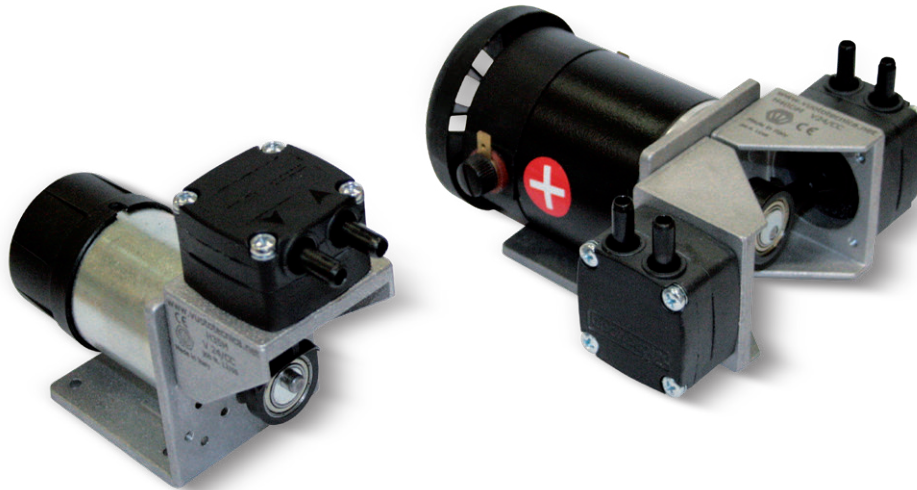


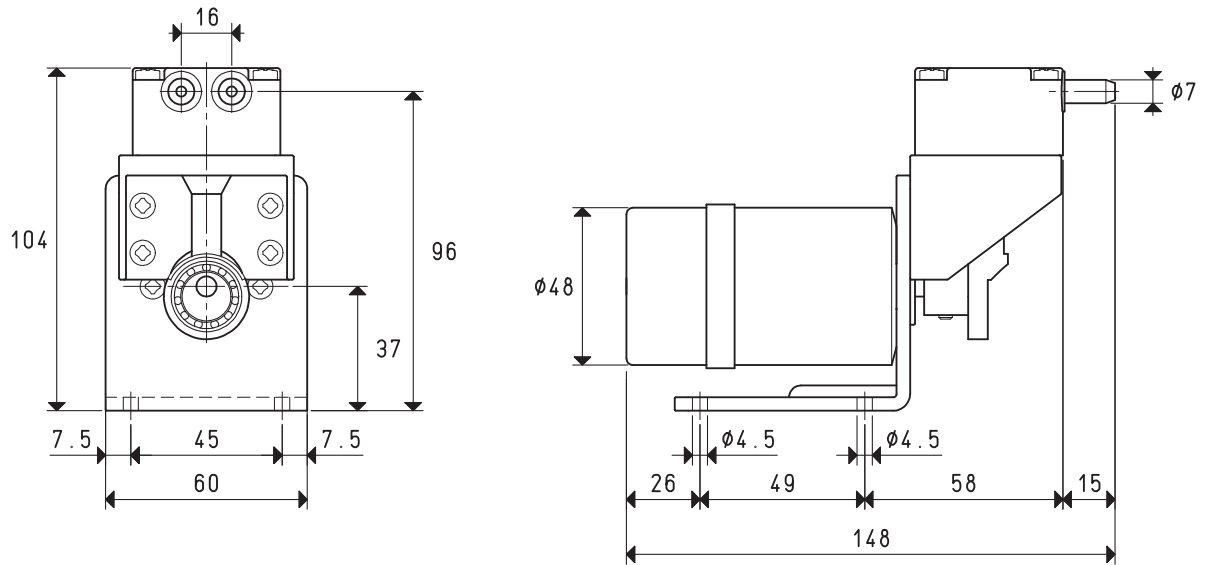
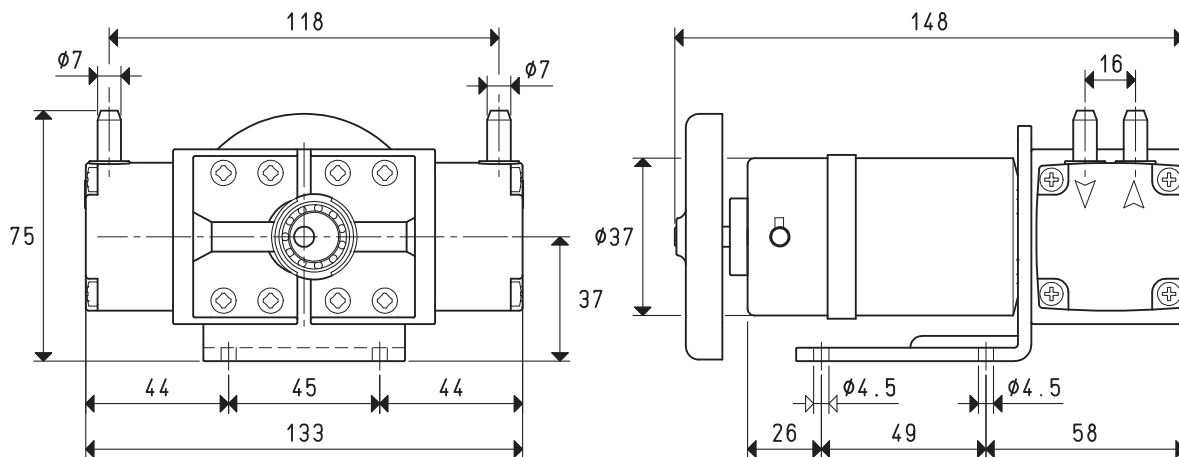
The mini pumps on this page are the same as described above, with a DC motor rather than an AC. The performances are also almost the same.



To calculate the emptying time of a volume of V_1 , use the following formula: $t_1 = \frac{t \times V_1}{6}$

- - - Curve relative to the flow rate (referring to a 1013 mbar pressure)
- Curve regarding the emptying time of a 6-litre volume

- V_1 : Volume to be emptied (l)
- t_1 : time to be calculated (sec)
- t : time obtained in the table (sec)

H 35 M CC - H 35 M 12 CC

H 40 DM CC - H 40 DM 12 CC


Item	H35 M CC	H35 M 12 CC	H40 DM CC	H40 DM 12 CC
Nominal flow rate:				
Connection in series	1 / 1'	8.5		8.5
Parallel connection	1 / 1'	=		8.5 + 8.5
Final pressure:				
Connection in series	mbar abs.	200		60
Parallel connection	mbar abs.	=		200
Maximum pressure	bar	2		2
Motor performance	volt	24 VDC	12 VDC	24 VDC
Motor power	watt	12		22
Rotation speed	g/min ⁻¹	3000		3000
Noise level	dB(A)	≤ 50		≤ 50
Max weight	Kg	0.62		1.19
Accessories and Parts				
Membrane	item	00 H35M 15		00 H40DM 15
Cover with fittings	item	00 H35M 16		00 H40DM 20
Cover without fittings	item	00 H35MF 16		00 H40DMF 20

Note: Add the letter F to the item for a mini pump supplied with G 1/8" threaded suction and blowing connections, without hose fittings. (Example: H35 M F CC).